

boytone®

MULTI-SPEED TURNTABLE
w/PITCH CONTROL
CD | CASSETTE PLAYER
AM/FM RADIO
ENCODE PLAYBACK TO MP3
BT RECEIVER



BT-11

INSTRUCTION MANUAL

BT-11 SERIES

BT-11B



IMPORTANT NOTES

Avoid installing this unit in places exposed to direct sunlight or close to heat radiating appliances such as electric heaters, on top of other stereo equipment that radiates too much heat, places lacking ventilation or dusty areas, places subject to constant vibration and/or humid or moist areas.

Do not attempt to clean this unit with chemical solvents as this might damage the finish. Use a clean dry cloth. Operate controls and switches as described in the manual. Before turning On the power, make certain the AC power cord is plugged in.

Store your CDs, Cassettes in a cool area to avoid damage from heat. When moving the set, be sure to first disconnect the power cord.

UNPACKING AND SET UP

- Carefully remove the unit from the display carton and remove all packing material from the unit.
- Unwind the AC power cord and extend it to its full length.
- Unwind the FM Antenna wire and extend it to its full length.
- Place the unit on a stable, level surface, convenient to an AC outlet, out of direct sunlight, and away from sources of excess heat, dust, moisture, humidity or strong magnetic fields.
- Remove the opaque white plastic stylus cover from the phonograph stylus by sliding it forward and down. Keep the cover for future use.
- Remove the twist-tie that was used to secure the tone arm during shipment.
- Release the tone arm lock lever.
- Connect the plug to your AC outlet

POWER SOURCE

This product is designed to operate on 120V 60Hz AC Mains only. Attempting to operate this system from any other power source may cause damage to the system, and such damage is not covered by your warranty.

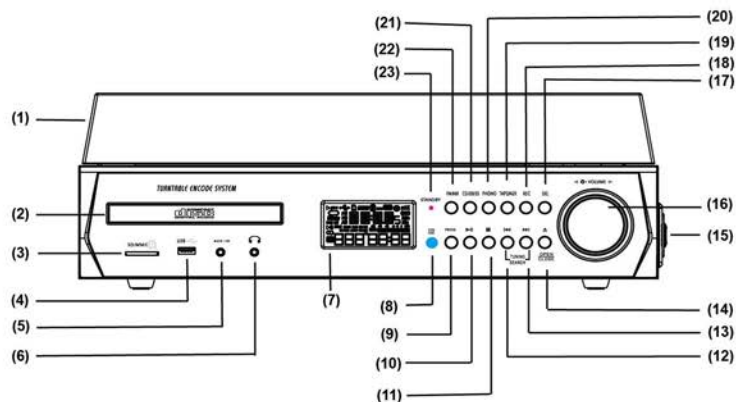
NOTE: You will note that this system is equipped with domestic standard AC power 2-pin plug. If this plug does not fit into your existing AC outlet, do not try to overcome this safety feature by forcing the wide prong to make it fit into your outlet. If this plug will not fit into your outlet, you probably have an outdated, non-polarized AC outlet. You should have your outlet changed by a qualified licensed electrician.

PROTECT YOUR FURNITURE

This model is equipped with non-skid rubber 'feet' to prevent the product from moving when you operate the controls. These 'feet' are made from non-migrating rubber material specially formulated to avoid leaving any marks or stains on your furniture. However, certain types of oil based furniture polishes, wood preservatives, or cleaning sprays may cause the rubber 'feet' to soften, and leave marks or a rubber residue on the furniture. To prevent any damage to your furniture we strongly recommend that you purchase small self-adhesive felt pads, available at hardware stores and home improvement centers everywhere, and apply these pads to the bottom of the rubber 'feet' before you place the product on fine wooden furniture.



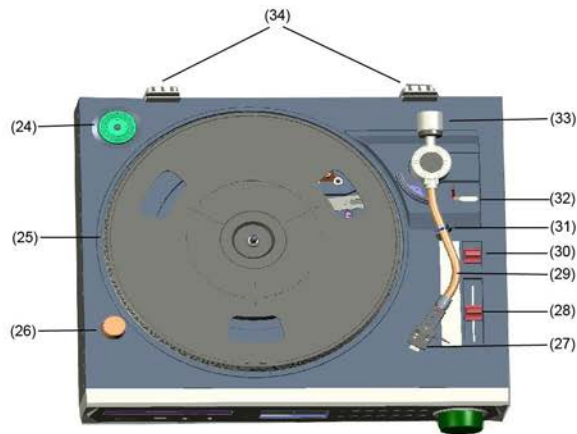
BUTTONS & CONTROLS



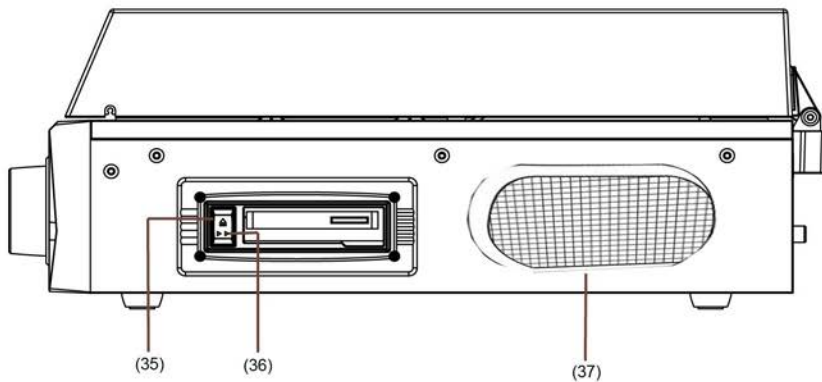
- 1) Plastic Dust cover
- 2) Disk tray door
- 3) SD/MMC card slot
- 4) USB socket
- 5) Auxiliary input
- 6) 3.5mm headphone socket
- 7) LCD display
- 8) IR remote receiver
- 9) Program button
- 10) Play/Pause button
- 11) Stop button
- 12) Previous button (Radio Tuning Up)
- 13) Next button (Radio Tuning knob)
- 14) CD-Rom Open/close button
- 15) Cassette
- 16) Power & Volume knob (Standby Mode)
- 17) Delete button
- 18) Record button
- 19) Tape / Aux selector
- 20) Phono button
- 21) CD/USB/SD/BT selector
- 22) Radio band selector (AM/FM)
- 23) Stand by LED indicator



BUTTONS & CONTROLS



- 24) 45 RPM adaptor
- 25) Turntable
- 26) Rotary speed indicater
- 27) Magnetic Stereo Cartridge Needle
- 28) Adjustable 3 Pitch Speed control knob (+,- 10%)
- 29) S-Shape Tone arm with Aluminium and Copper
- 30) Speed selector (33/45 rpm)
- 31) Height adjustment with locking
- 32) Lift lever
- 33) Counterweight
- 34) Dust cover lock

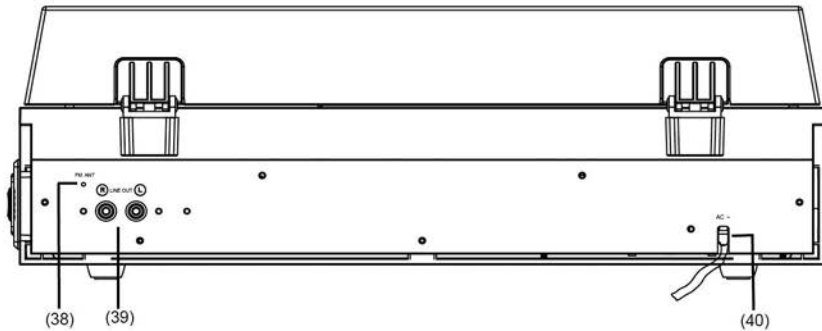


- 35) Cassette EJ/FF Button (Eject/Fast Forward.)
- 36) Cassette Player Slot.
- 37) Speaker





BUTTONS & CONTROLS



- 38) FM wire antenna
- 39) RCA Line out jack
- 40) AC power cord



boytone®





OPERATION

POWERING ON THE UNIT

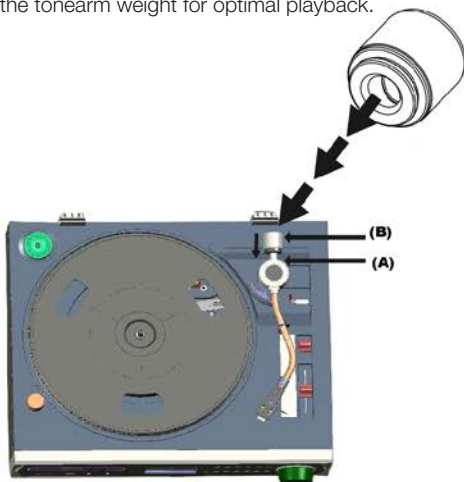
Click the Volume Knob to power the unit **ON OR OFF**.

LISTENING TO VINYL RECORDS

1. Select "PHONO" mode
2. Set appropriate speed (33 or 45) depending on record
3. Use lift lever to raise and lower stylus (it is strongly recommended over doing it by hand)
4. Adjust Pitch to appropriate level (If the correct RPM speed is selected the pitch should be in the neutral position in the middle).

Note: The stylus will return automatically to its resting position when the record is finished playing.

Note: There is a tonearm weight which adjusts the tracking force of the needle. It is recommended to adjust the tonearm weight for optimal playback.



LISTENING TO FM/AM RADIO

In AM/FM mode, HOLD **<<** or **>>** to auto seek stations one at a time. CLICK **<<** or **>>** to select "programmed stations." To PROGRAM stations, CLICK **PROG** button when on the desired station frequency and CLICK **<<** or **>>** to select "P01" or "P02" all the way up to "P20." CLICK PROG again to set desired station number.

LISTENING TO CD/USB/SD

Insert respective media (CD, USB pen drive or SD Card). Unit will automatically read tracks or files. CLICK **>||** to play or pause. CLICK **<<** or **>>** to select previous or next track/song.

LISTENING TO CASSETTE TAPES

Cassette tape will auto play when inserted correctly. CLICK cassette button on the side of the unit to fast forward. PRESS cassette button all the way to eject. Unit will not rewind cassette tapes and only plays one side at a time.



OPERATION

USING BLUETOOTH MODE

SELECT BLUETOOTH ("BT") Mode using TAPE/AUX/BT button and unit will be in automatic pairing state. On your mobile device, search for corresponding model number "BT11B" or "Boytone" and pair. You will hear a digital chime when successfully paired. (In the case where the device asks for a passcode, enter "0000")

USING AUXILIARY MODE

SELECT AUX mode and insert 3.5mm audio cable into AUX socket. 3.5mm cable must also be plugged into source device (e.g. ipod, mobile phone, etc.)

ENCODING TO MP3 IN CD MODE

CLICK **REC** button then CLICK **<<** or **>>** to select "ALL" to record the entire CD or "ONE" to record the current track. CLICK **REC** button to confirm selection and let the BT11B take it from there. CLICK **STOP** any time to stop recording.

Note: Encoded MP3 files will be in the "RECORD/CDIN" folder on your USB or SD card.

ENCODING IN FM/AM, PHONO, TAPE, AUX AND BT MODE

CLICK **REC** button to start recording when in respective mode and let the BT11B take it from there. CLICK **STOP** any time to stop recording.

Note: Encoded MP3 files will be in the "RECORD/EXREC" folder on your USB or SD card.

REMOTE CONTROL BUTTONS

1. POWER
2. MUTE
3. MODES:

FM/AM | PHONO | CD
TAPE | AUX-IN | USB/SD/MMC

4. PROGRAM (RADIO - see LISTENING TO FM/AM RADIO)
5. VOLUME UP
6. VOLUME DOWN
7. PREVIOUS (CD and USB/SD)
8. PLAY/PAUSE (CD and USB/SD)
9. FORWARD (CD and USB/SD)
10. RANDOM TRACK (CD and USB/SD)
11. STOP (CD and USB/SD)
12. REPEAT one, all or folder (CD and USB/SD)
13. FOLDER SELECT (FOR USB/SD PLAYBACK ONLY)



NOTE: Your remote may vary depending on production batch. Rev. 03/1/2017



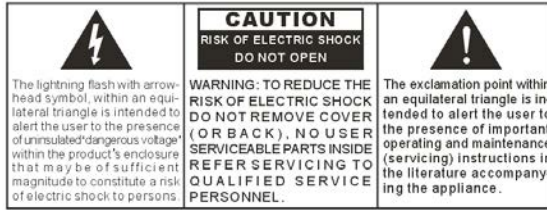
SPECIFICATIONS

Amplifier: Section Output power--- 1.5W + 1.5W
CD/USB/SD Frequency Response--- 100 to 16,000 Hz
Tuner Section: FM section: Frequency Range---87.5 to 108 MHz
 AM section: Frequency Range: 520 to 1710 KHz
CD Player Section: Frequency Range---100 to 16000Hz +/-3dB
Signal to Noise Ratio--- 50dB
Cassette DECK section: Track System---2 channel stereo
Tape Speed---4.76cm/sec
Wow & Flutter WRMS JIS ---0.35%
TAPE Frequency Response---- 125 to 6300Hz+/-6dB
Record Player Section: Motor--- DC servo moto
Drive System---Belt Drive
Speeds--- 33/45 RPM
S/N Ratio---50dB
Cartridge type: Magnetic Cartridge
Speaker Specify Power ---4Ω3W
General: Power Requirements---120V-60Hz
Power consumption: 16W
Dimensions: 440*408*160mm



CAUTION

TO PREVENT FIRE OR SHOCK HAZARD, DO NOT USE THIS PLUG WITH AN EXTENSION CORD, RECEPTACLE OR OTHER OUTLET UNLESS THE PRONGS CAN BE FULLY INSERTED TO PREVENT PRONG EXPOSURE. TO PREVENT FIRE OR SHOCK HAZARD, DO NOT EXPOSE THIS APPLIANCE TO RAIN OR MOISTURE.



IMPORTANT SAFETY INSTRUCTIONS

- 1) Please read these instructions and keep them for future reference.
- 2) Pay attention to all warnings.
- 3) Follow all instructions.
- 4) Do not use this apparatus near water.
- 5) Clean only with a dry cloth.
- 6) Do not block any ventilation openings.
- 7) Install in accordance with the manufacturer's instructions. Do not install near any heat sources such as radiators, heaters, stoves, or other apparatus (including amplifiers) that produce heat.
- 8) Protect the power cord from being walked on or kinked, in particular where the plug is fitted and at the point where it exits from the apparatus.
- 9) Only use attachments / accessories specified by the manufacturer.
- 10) Unplug this apparatus during lightning storms or when unused for long periods of time.
- 11) Refer all servicing to qualified service personnel. Servicing is required when the apparatus has been damaged in any way, such as power-supply cord or plug is damaged, liquid has been spilled or objects have fallen into the apparatus, the apparatus has been exposed to rain or moisture, does not operate normally, or has been dropped.
- 12) This appliance should not be exposed to dripping or splashing water and no object filled with liquids, such as vases, should be placed on the apparatus.
- 13) Do not overload the wall power outlet. Use only power source as indicated - i.e. 120V AC mains.



 **boytone**®

www.boytone.com
www.boytoneusa.com

