

boytone®

**USER'S MANUAL
MODEL: BT-36M**



Dear user:

Thank you for choosing our company's professional active audio products, the speaker is specifically design and produce for exercise, fitness, dance, opera, music, shopping guide, which are widely used in schools, shopping malls, indoor and outdoor activities. The sound is clear and in good quality. It has many advantages such as long working time, stable performance, and convenient operation and so on, which is a good partner of your work and life.

THE PRODUCT FEATURES

- 1. Portable Shoulder USB/TF Card, Bluetooth Speaker
- 2. Play MP3 format music from TF card, U disk Connect 3.5mm stereo audio cable to speaker socket "LINE IN", can enjoy the music from mobile phone, MP3, MP4, PC, IPOD and other audio devices
- 3. With FM Function
- 4. With Karaoke Function
- 5. With high-pitched voice

DIRECTORY

- 1. The product features1
- 2. Technical parameters.....3
- 3. Packing list.....3
- 4. Connect using Bluetooth technology.....3
- 5. The function instructions.....4
- 6. The remote instructions6

TECHNICAL

- 1. Power Maximum30W
- 2. Frequency Response.....100Hz-20KHz
- 3. S/N Radio.....≥70dB
- 4. Output Impedance4 Ω
- 5. Input voltage..... DC 5V

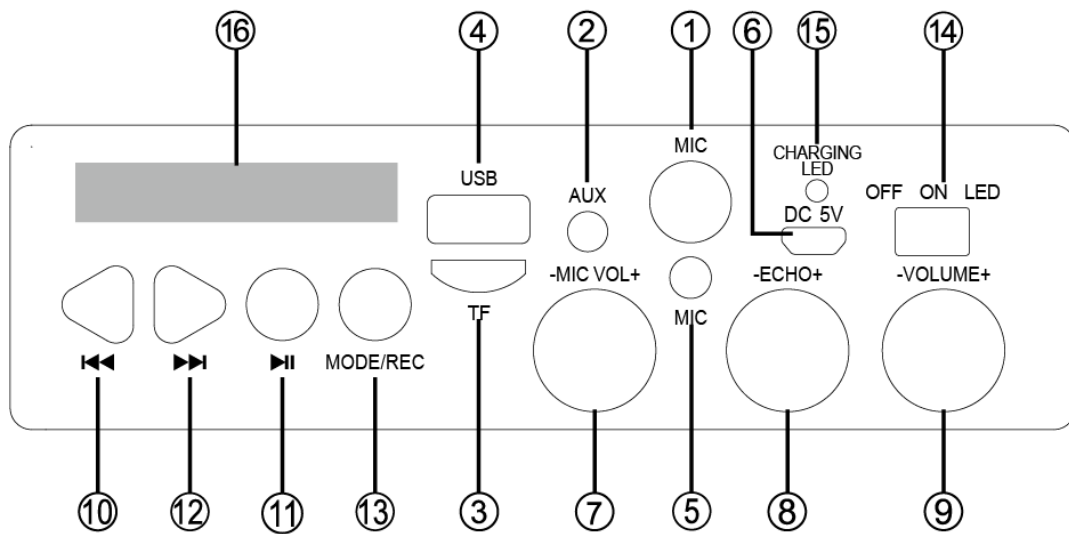
PACKING LIST

- 1. Host1PC
- 2. User Manual.....1PC
- 3. 3.5mm Audio cable1PC
- 4. Remote Control.....1PC
- 5. Wired microphones1PC
- 6. wireless microphone.....1PC

CONNECT USING BLUETOOTH TECHNOLOGY

- 1. Turn ON the unit
- 2. Activate the Bluetooth function on your Bluetooth Device (Mobile phone or Tablet).
- 3. Once you have activated Bluetooth on your device, select the"K56"from the list of available Bluetooth devices.
- 4. If required, enter the password"0000"to confirm pairing.

1、function operational specification:



1. Microphone input port.
2. Line in input port.
3. TF card interface: insert TF card.
4. USB interface: insert USB.
5. 3.5mm Microphone input port.
6. DC input: take connection DC 5V.
7. Microphone Volume Knob.
8. Echo volume knob.
9. Volume knob.
- 10/12. Pre/Next: When you play the USB and TF card, short press to choose Pre/Next music, long press to manual operation forwarder sequence adjustment, when AUX input without function.
11. Play/Pause: when play USB and TF card, short press to play/pause the FM, short press is mute, long press is automatically search channel and store, when at AUX state is mute.
13. Mode: AUX input, BT, USB, TF card, FM, changing-over, Record/Play: Long press to enter record state, short press twice play recording, resort press to close record.
14. Power switch.
15. Charge LED: when charging, the light is red
16. Digital display window

The Remote Instructions

1. To turn the unit on for music playback or standby mode
2. When playback from the USB/SD source, pressing this button to set repeat playback setting (Single or All track repeat).
3. Change the playback source mode of BLUE CONNECT/LINE/FM/USB/TF
4. Previous song for USB/SD playback. Previous channel for radio operation
5. Next song for USB/SD playback. Next channel for radio operation
6. Under USB/TF source playback mode, press this button to select different EQ hearing.
7. During USB/SD playback mode, press this button to pause the playback. Press again to resume playback. During FM radio mode, long press to start auto-scan stations. Then short press it again to stop the auto-scan.
8. Volumen decaerse.
9. Volumen increase.
10. Pressing this button to mute the unit's speaker output at any time. Press again to resume speaker output.
11. The number keys 0-9: During USB/SD playback mode, press the number combination to designate that song number to start playback. During Radio Channel or Radio Frequency mode, press the number combination to select the Channel number to play. (Note: When done pressing the number combination, just wait 2 seconds and the system will automatically confirm your input).
12. When the unit is operating USB/SD playback mode, press this button to permanently stop playing the source file. You need to press to restart playback.

