



INTEGRATED MULTIMEDIA SPEAKER
BT-64B



DEAR CUSTOMER:

Thank you to buy the product !
Prior to first use, please read the manual carefully.

Operation explanation:

SPECIFICATIONS

- Output Power: 100W(RMS)
- Drive Units: 3"x 4 + 6.5"
- Frequency Response: 20Hz~20KHz
- Separation: ≥40 dB
- S/N: ≥60dB
- Distortion: ≤0.5%(1K, 1W)
- Power Supply: ~120V/60Hz
- Dimensions: W455xH259xD242(mm)

Features:

- Quality Mini-Hifi speaker system with built-in amplifier
- Full audio spectrum performances, ideal for your favourite entertainment from Mp3, Mp4, CD/DVD movies and digital playbacks
- Specially designed woofer cabinet for bass and resolution
- Comes with remote control and 3.5mm stereo connection

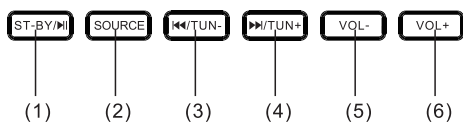
Package contents:

- Integrated unit 1 pc
- Remote control 1 pc
- User manual 1 pc
- Audio input cord 1 pc
- FM ANT 1 pc

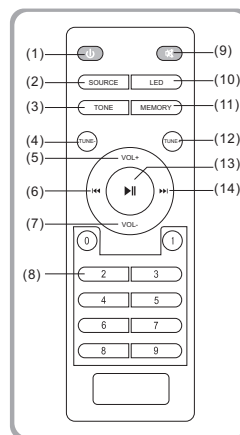
NO.1

Front panel

1. ST-BY/▶||
2. SOURCE
3. ◀◀/TUNING-
4. ▶▶/TUNING+
5. VOLUME-
6. VOLUME+



How to use the remote control



1. ST-BY
2. SOURCE
3. TONE
4. TUNING-
5. VOL+
6. PREVIOUS
7. VOL-
8. 0~9
9. MUTE
10. LED effect
11. MEMORY
12. TUNING+
13. PLAY/PAUSE
14. NEXT

ST-BY/PLAY/PAUSE-----Press to turn on speaker,long press into stand-by.
PLAY/PAUSE on the USB/SD/BT mode.

SOURCE-----Change the input mode.

VOLUME-/+ -----Volume down/up.

TUNING+/NEXT -----Press once to increase the FM frequency 0.1M,
long press to the semi-automatic search for radio.
In USB/SD/BT mode, press "NEXT" play next song.

TUNING-/PREVIOUS -----Press once to reduce the FM frequency 0.1M,
long press to the semi-automatic search for radio.In USB/SD/BT mode, press "PREVIOUS"
play previous song.

1. Press "ST-BY" LED showing "AU18",it is AUX mode playing state.
2. "MUTE" means to activate or deactivate mute.
3. "SOURCE"means you can choose AUX , DVD ,USB/SD,FM,BT input mode,
at the same time ,the LED will show "Au18"means AUX mode, "Du18" means
DVD mode. "87.5"means FM mode, "bL18"means BT mode.
4. "TONE"means you can choose "TREBLE" and "BASS" "VOL+/-"means
you can increase or decrease volume of " TREBLE " or "BASS".
5. When enter into FM mode,press"MEMORY"the number on the LED will
Blink.this means the machine is under save channel state.You can change the
blinking number by pressing"NEXT"or "PREV",press"MEMORY"you can
save the channel into wanted number.it will enter into automatic search channel
and automatic save channel when pressing "MEMORY"for 3-5 seconds
(noted:the channel which you saved before will be deleted when you press
"MEMORY"for 3-5 seconds.

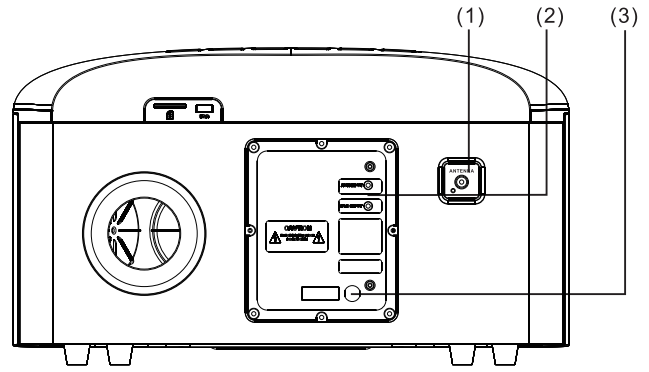
NO.2

NO.3

6. When entering into USB/SD mode. "NEXT" means next song; "PREV" means previous song; "PLAY/PAUSE" means play/pause; pressing the number "0-9" on the remote control, you can choose the corresponding song.
7. VOL+/- means you can increase or decrease volume.
8. "TUNING-" means decrease the frequency of channel selection. Press "TUNING-" for a long time means decrease the frequency of channel selection continuously
9. "TUNING+" means increase the frequency of channel selection. Press "TUNING+" for a long time means increase the frequency of channel selection continuously.
10. "PLAY/PAUSE" means play/pause for USB/SD.
11. "PREV" means previous song for USB/SD.
12. "NEXT" means next song for USB/SD.
13. Press "SOURCE" buttons on the remote to convert to Bluetooth input mode, LED display right bottom start to flashing (2 seconds) to search the Bluetooth device. Turn on your mobile Bluetooth device and search the device name "BT SPEAKER", paired them well. When you have successfully paired your mobile to the speaker system, the LED right bottom stop flashing. When start to play your mobile music, the LED flashed every one second. The functions as "PREVIOUS/NEXT", "PLAY/PAUSE", can operate via the front panel. On BT mode, when connecting with mobile, press "▶| " for 3 seconds, bluetooth function can be force-disconnected .
14. Press"LED"each time to change LED effect(LED1 - LED6 - LEDF).

NO.4

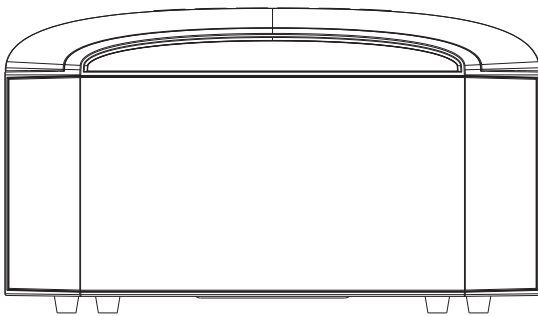
Rear panel



1. ANTENNA
2. AUX/DVD INPUT:
Connect to sound sources such as computer, CD Player, MP3, etc.
3. AC IN: AC Power cord

NO.5

System connection diagram



1. Connect the audio sources
Connect the 3.5 stereo cable to the input of the subwoofer, Connect the 3.5 stereo input jack into output of the audio sources, such as MP3, MP4, walkman, computer etc.
2. Power on the system, adjust the master volume to the suitable level.
Adjust volume to the suitable to meet your different requirement.

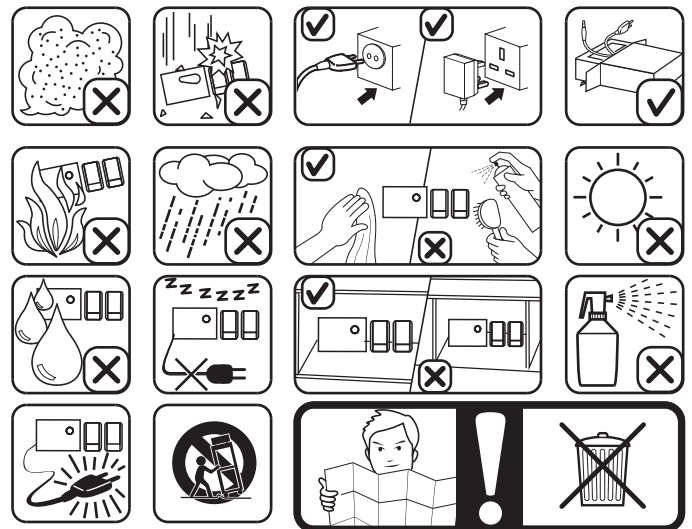


NOTE

* Do not leave objects generating magnetism near the speakers.

NO.6

In use please pay attention to the following items:



*if the remote control cannot function, it is because the battery of remote control has been used up. thank you.

NO.7