



## 2.1CH MULTIMEDIA SPEAKER SYSTEM

BT-220F



### DEAR CUSTOMER:

Thank you to buy the product!  
Prior to first use, please read the manual carefully.

### Operation explanation:

#### SPECIFICATIONS

Power Audio: 40W(RMS)

Drive Units: 3" x 2 satellite + 5.25" subwoofer

Frequency Response: Satellites: 120Hz-20KHz

Subwoofer: 20Hz-170Hz

Separation:  $\geq 40$  dB

S/N:  $\geq 60$ dB

Distortion:  $\leq 1\%$ (1K, 1W)

Power Supply:  $\sim 120V/ 60Hz$

Dimensions: Subwoofer: W200xH282xD350(mm)

Satellite: W105xH172xD99(mm)

#### Features:

- Quality 2.1 speaker system with built-in amplifier
- Full audio spectrum performances, ideal for your favourite entertainment from Mp3, Mp4, CD/DVD movies and digital playbacks
- Specially designed woofer cabinet for bass and resolution
- Comes with remote control and RCA stereo connection

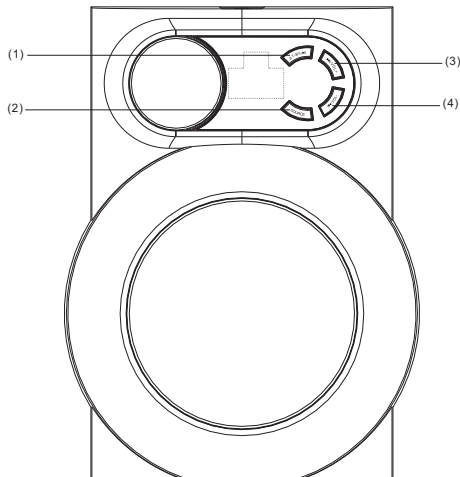
#### Package contents:

subwoofer cabinet .....	1 pc
satellite speakers .....	2 pcs
remote control .....	1 pc
User manual .....	1 pc
Audio input cord .....	1 pc
FM ANT .....	1 pc

NO.1

### Front panel

1. ST-BY/▶|
2. SOURCE
3. ▶▶/VOL+
4. ◀◀/VOL-



**ST-BY/▶|:** In FM mode, short press means searching channels automatically. In USB/BT mode, short press means pause. In AUX/DVD mode, short press means mute. Long press means stand-by mode in all modes.

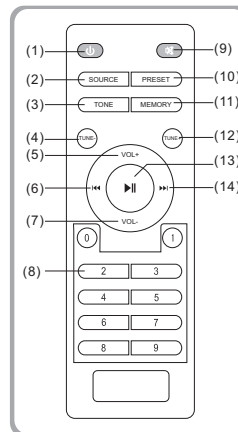
**◀◀/Vol-:** In USB/BT mode, short press means playing previous song; In FM mode, short press means playing previous channel. Long press means volume decrease in all modes.

**▶▶/Vol+:** In USB/BT mode, short press means playing next song; In FM mode, short press means playing next channel. Long press means volume increase in all modes.

**SOURCE:** Change the input mode.

NO.2

### How to use the remote control



1. ST-BY
2. SOURCE
3. TONE
4. TUNING-
5. VOL+
6. PREVIOUS
7. VOL-
8. 0~9
9. MUTE
10. PRESET
11. MEMORY
12. TUNING+
13. PLAY/PAUSE
14. NEXT

1. Press "ST-BY" LED showing "AU18", it is AUX mode playing state.
2. "MUTE" means to activate or deactivate mute.
3. "SOURCE" means you can choose AUX, DVD, USB, FM, BL input mode, at the same time, the LED will show "Au18" means AUX mode, "Du18" means DVD mode. "87.5" means FM mode, "Bl18" means BL mode.
4. "TONE" means you can choose "TREBLE" and "BASS". "VOL+/-" means you can increase or decrease volume of "TREBLE" or "BASS".
5. When enter into FM mode, press "MEMORY" the number on the LED will Blink. this means the machine is under save channel state. You can change the blinking number by pressing "NEXT" or "PREV", press "PLAY/PAUSE" you can save the channel into same number. it will enter into automatic search channel and automatic save channel when pressing "MEMORY" for 3-5 seconds (noted: the channel which you saved before will be deleted when you press "MEMORY" for 3-5 seconds).

NO.3

6. In FM mode, after saving the channels, press "PRESET", the number on the display will blink. Press "NEXT" or "PREV" you can choose from the saved channels, the number on the display will change accordingly. After pressing "PLAY/PAUSE" to get the favorite channel, the number on the display will stop blinking. You can also get the favorite saved channel by pressing "PRESET" with the help of numeric key "0-9" and press "PLAY/PAUSE" to reach the channel you choose.

7. When entering into USB mode. "NEXT" means next song; "PREV" means previous song; "PLAY/PAUSE" means play/pause; pressing the number "0-9" on the remote control, you can choose the corresponding song.

8. VOL +/- means you can increase or decrease volume.

9. "TUNING-" means decrease the frequency of channel selection. Press "TUNING-" for a long time means decrease the frequency of channel selection continuously.

10. "TUNING+" means increase the frequency of channel selection. Press "TUNING+" for a long time means increase the frequency of channel selection continuously.

11. "PLAY/PAUSE" means play/pause for USB.

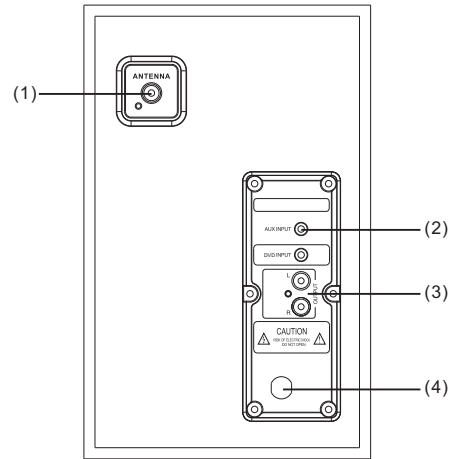
12. "PREV" means previous song for USB.

13. "NEXT" means next song for USB.

14. Press "SOURCE" buttons on the remote to convert to Bluetooth input mode, LED display right bottom start to flashing (2 seconds) to search the Bluetooth device. Turn on your mobile Bluetooth device and search the device name "BT SPEAKER", paired them well. When you have successfully paired your mobile to the speaker system, the LED right bottom stop flashing. When start to play your mobile music, the LED flashed every one second. The functions as "PREVIOUS/NEXT", "PLAY/PAUSE", can operate via the front panel. On BL mode, when connecting with mobile, press "M" for 3 seconds, bluetooth function can be force-disconnected.

NO.4

## Rear panel



1. ANTENNA

2. AUX/DVD INPUT:

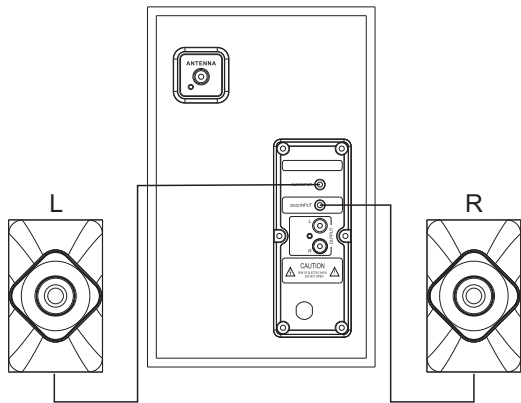
Connect to sound sources such as computer, CD Player, MP3, etc.

3. Output: Connect the satellite speakers.

4. AC IN: AC Power cord

NO.5

## System connection diagram



1. Connect the audio sources

Connect the 3.5" stereo cable to the input of the subwoofer, Connect the 3.5 stereo input jack into output of the audio sources, such as MP3, MP4, walkman, computer etc.

2. Power on the system, adjust the master volume to the suitable level. Adjust "VOL" to the suitable to meet your different requirement.

## SPEAKER TERMINALS

Connect the left & right channel satellite to 2.1 speaker output terminals.

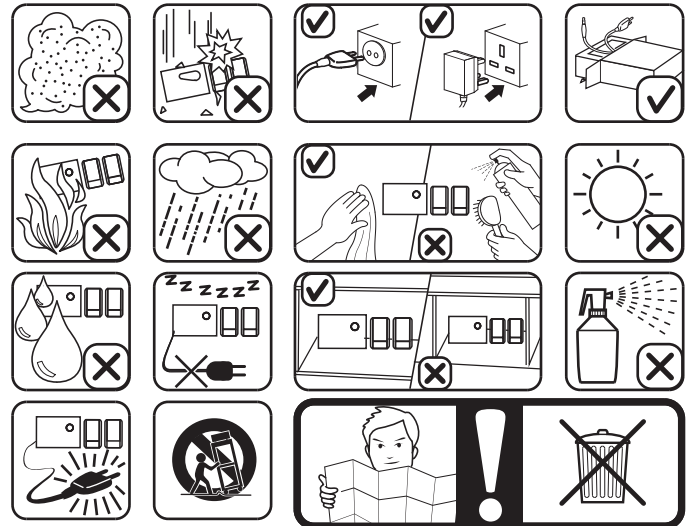


### NOTE

\* Do not leave objects generating magnetism near the speakers.

NO.6

## In use please pay attention to the following items:



\*if the remote control cannot function, it is because the battery of remote control has been used up. thank you.

NO.7