

2.1CH MULTIMEDIA SPEAKER SYSTEM

BT-326F



Thank you for your purchase of an authentic BOYTONE® product. Prior to first use, please read this manual carefully.

Operation explanation:

SPECIFICATIONS

Output Power: 20W+10Wx2(RMS)

Drive Units: 3" x2 full range magnetically shielded + 5" subwoofer

Frequency Response: Satellites: 120Hz-20KHz

Subwoofer:20Hz-170Hz

Separation: ≥40 dB

S/N: ≥60dB

Distortion: ≤0.5%(1K, 1W)

Power Supply: ~120V 60Hz

Dimensions: Subwoofer: W160xH277xD302(mm)

Satellite: W105xH170xD92(mm)

Features:

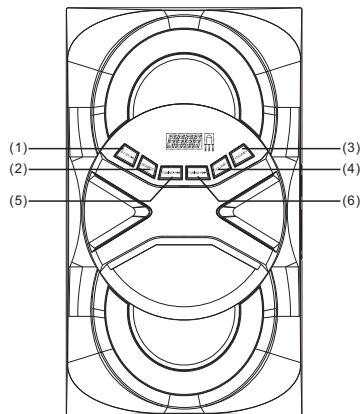
- Quality 2.1 speaker system with built-in amplifier
- Full audio spectrum performances, ideal for your favourite entertainment from Mp3, Mp4, CD/DVD movies and digital playbacks
- Specially designed woofer cabinet for bass and resolution
- Comes with remote control and 3.5mm stereo connection

Package contents:

subwoofer cabinet	1 pc
satellite speakers	2 pcs
remote control	1 pc
User manual	1 pc
Audio input cord	1 pc
FM ANT	1 pc

Front panel

1. ST-BY/▶|
2. SOURCE
3. VOLUME+
4. VOLUME-
5. TUNING-/◀◀
6. TUNING+/▶▶



ST-BY/PLAY/PAUSE-----Press to turn on speaker, long press into stand-by.
PLAY/PAUSE in USB/SD/BT mode.

SOURCE-----Change the input mode.

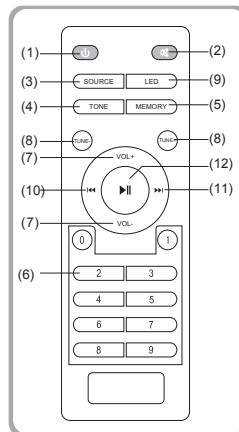
VOLUME-/+ -----Volume down/up.

TUNING+/NEXT -----Press to increase FM frequency 0.1Mhz,
long press to start seek mode for radio.

In USB/SD/BT mode, press "NEXT" for next song.

TUNING-/PREVIOUS -----Press to decrease FM frequency 0.1Mhz,
long press to start search mode for FM Radio.
In USB/SD/BT mode, press "PREVIOUS" for previous song.

Using the Remote Control



1. STAND-BY
2. MUTE
3. SOURCE
4. TONE
5. MEMORY
6. 0~9
7. VOL+/-
8. TUNE+/-
9. LED EFFECT
10. PREVIOUS|<<
11. NEXT|>>|
- 12.PLAY/PAUSE

1. "ST-BY" - standby mode

2. "MUTE" - activates or deactivates mute.

3. "SOURCE" - select the AUX , DVD ,USB/SD,FM,BL input modes and the LED display will show "Au18" for AUX mode, "Du18" for DVD mode, "87.5" for FM mode and "BL" for Bluetooth mode.

4. "TONE" to adjust "TREBLE" and "BASS" Use "VOL+/-" to increase or decrease "TREBLE" or "BASS" levels.

5. When in FM Radio mode, press"MEMORY" and the station displayed will flash/blink. The machine is in station memorization mode. You can change the station by pressing "NEXT"or "PREV" and pressing "PLAY/PAUSE" will save that station for that station number. Automatic seek and save can be done by pressing "MEMORY" for 3-5 seconds

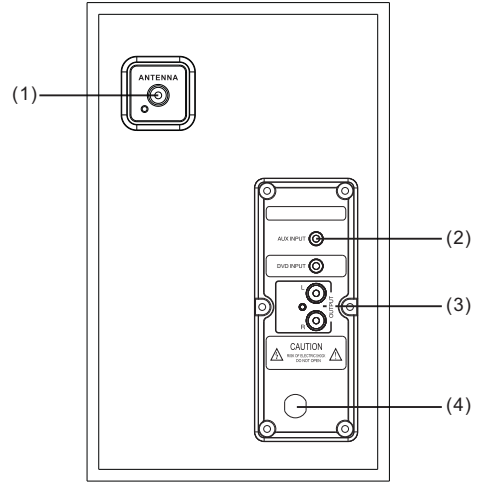
(Note: Previous saved channels will be deleted when you press "MEMORY"for 3-5 seconds.

6. When in USB/SD mode. "NEXT/>>>" for next song; "PREV/"><<" for previous song; "PLAY/>>/PAUSE/||" for play/pause; pressing "0-9" on the remote will play the corresponding song.
7. VOL+/- to increase or decrease volume.
8. "TUNING-/TUNING+ to adjust FM Radio frequency. Long press to fast scroll through frequencies without pause.
9. "LED" effect - press to change effect. Long press to deactivate.
10. "PREV" for previous song in USB/SD mode.
11. "NEXT" for next song in USB/SD mode.
12. "Play/Pause" to play and pause...but you definitely knew that

CONNECTING YOUR BLUETOOTH DEVICE:

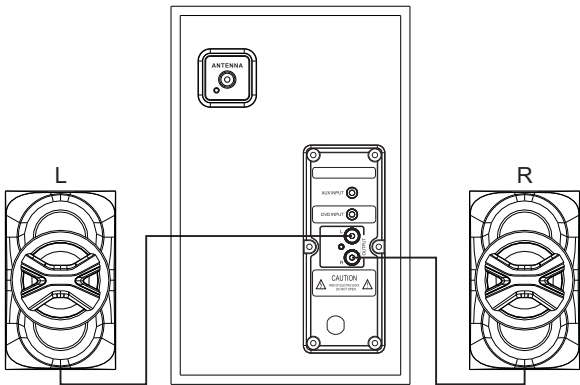
1. Press "SOURCE" until you are in "bL" mode. You will hear beeping.
2. Activate Bluetooth and search for "BT Speaker" on your transmitting device (phone, tablet, pc, etc.)

Rear panel

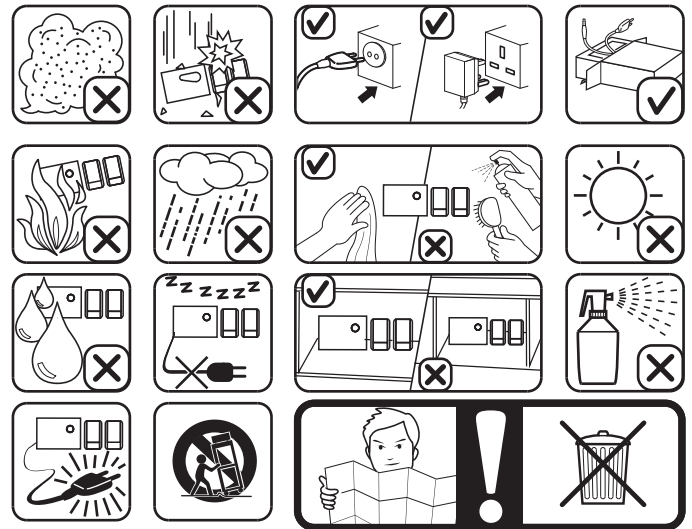


1. ANTENNA
2. AUX/DVD INPUT:
Connet to sound sources such as computer,CD Player,MP3, etc.
3. Output: Connet the satellite speakers.
4. AC IN: AC Power cord

System connection diagram



Please pay attention to the following items:



SPEAKER TERMINALS

Connect the left & right channel satellite to 2.1 speaker output terminals.

NOTE

* Do not leave objects generating magnetism near the speakers.



*if the remote control doesn't function, it is probably the battery of remote control being dead. Change 'em. Thank you.