

2.1CH MULTIMEDIA SPEAKER SYSTEM

BT-328F



Thank you for your purchase of an authentic BOYTONE® product. Prior to first use, please read this manual carefully.

Operation explanation:

SPECIFICATIONS

- Output Power: 20W+10Wx2(RMS)
- Drive Units: 3" x2 full range magnetically shielded + 5.25" subwoofer
- Frequency Response: Satellites: 120Hz-20KHz
Subwoofer:20Hz-170Hz
- Separation: ≥40 dB
- S/N: ≥60dB
- Distortion: ≤0.5%(1K, 1W)
- Power Supply: ~120V/60Hz
- Dimensions: Subwoofer: W186xH312xD354(mm)
Satellite: W105xH170xD94(mm)

Features:

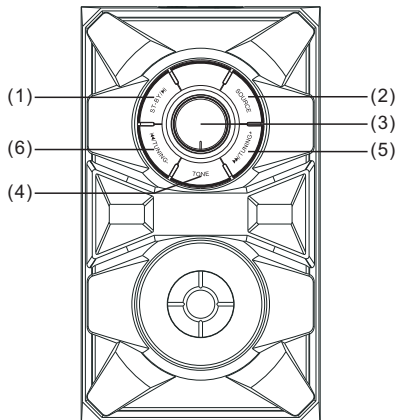
- Quality 2.1 speaker system with built-in amplifier
- Full audio spectrum performances, ideal for your favourite entertainment from Mp3, Mp4, CD/DVD movies and digital playbacks
- Specially designed woofer cabinet for bass and resolution
- Comes with remote control and 3.5mm stereo connection

Package contents:

- subwoofer cabinet 1 pc
- satellite speakers 2 pcs
- remote control 1 pc
- User manual 1 pc
- Audio input cord 1 pc
- FM ANT 1 pc

Front panel

1. ST-BY/||
2. SOURCE
3. VOLUME+/-
4. TONE
5. TUNING+//>>
6. TUNING-//<<



ST-BY/PLAY/PAUSE-----Press to turn on speaker, long press into stand-by.

PLAY/PAUSE on the USB/SD/BT mode.

SOURCE-----Change the input mode.

VOLUME-/+ -----Volume down/up.

TONE ----- Press TONE key to select the TREBLE and BASS. And use the volume knob to adjust the TREBLE -6~+6, BASS 00~30.

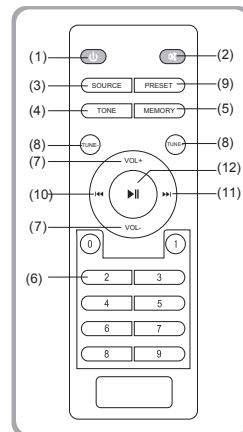
TUNING+/NEXT -----Press once to increase the FM frequency 0.1M, long press to the semi-automatic search for radio.

In USB/SD/BT mode, press "NEXT" play next song.

TUNING-/PREVIOUS -----Press once to reduce the FM frequency 0.1M, long press to the semi-automatic search for radio.

In USB/SD/BT mode, press "PREVIOUS" play previous song.

Using the Remote Control



1. STAND-BY
2. MUTE
3. SOURCE
4. TONE
5. MEMORY
6. 0~9
7. VOL+/-
8. TUNE+/-
9. PRESET
10. PREV/||<<
11. NEXT/||>>
- 12.PLAY/PAUSE

1. "ST-BY" - standby mode

2."MUTE" - activates or deactivates mute.

3."SOURCE" - select the AUX , DVD ,USB/SD,FM,BL input modes and the LED display will show "Au18" for AUX mode, "Du18" for DVD mode, "87.5" for FM mode and "BL" for Bluetooth mode.

4."TONE" to adjust "TREBLE" and "BASS" Use "VOL+/-" to increase or decrease "TREBLE" or "BASS" levels.

5. When in FM Radio mode, press"MEMORY" and the station displayed will flash/blink. The machine is in station memorization mode. You can change the station by pressing "NEXT"or "PREV" and pressing "PLAY/PAUSE" will save that station for that station number. Automatic seek and save can be done by pressing "MEMORY" for 3-5 seconds

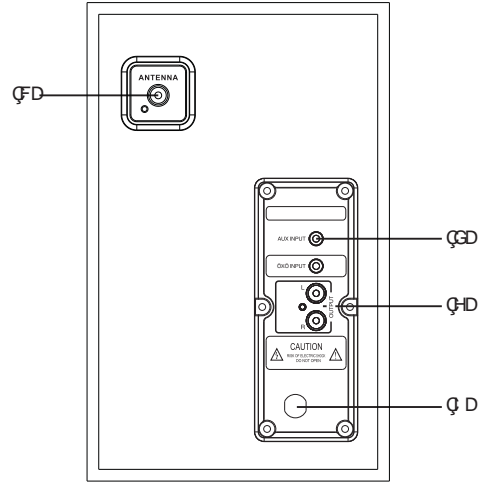
(Note: Previous saved channels will be deleted when you press "MEMORY"for 3-5 seconds.

- Í ÈY @} ÁnÁVÜÖÜÖÁ [ä ÈÖÖYV/>>>#forÁ ^cÁ [] *LÁÜÜÖX/<<+for
]!^çã ~•Á [] *LÁÜSÖYB/ÜÖSWÜÖ||+forÁ |æ ð æ •^L |!^••ã *ÁGE+ [] c@Á
 !^ { [cÁ will play the corresponding song
 Ì ÈXUSÉÈÖÁ & ^æ ^Á |Á & ^æ ^Á |' { ^ È
8. "TUNING-/TUNING+" to adjust FM Radio frequency. Long press to fast scroll through frequencies without pause.
 9. "PRESET" - Preset selection
 11. "NEXT" for next song in USB/SD mode.
 12. "Play/Pause" to play and pause...but you definitely knew that

CONNECTING YOUR BLUETOOTH DEVICE:

1. Press "SOURCE" until you are in "bL" mode. You will hear beeping.
2. Activate Bluetooth and search for "BT Speaker" on your transmitting device (phone, tablet, pc, etc.)

Rear panel

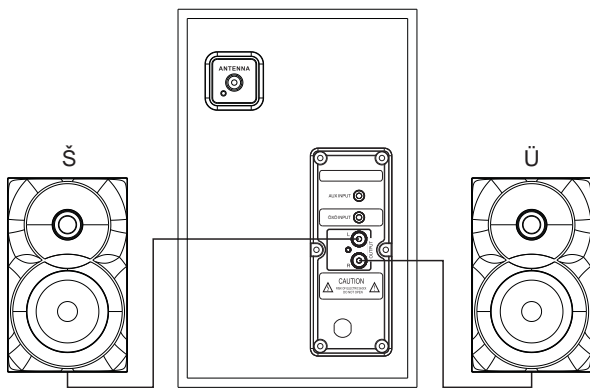


REAR PANEL

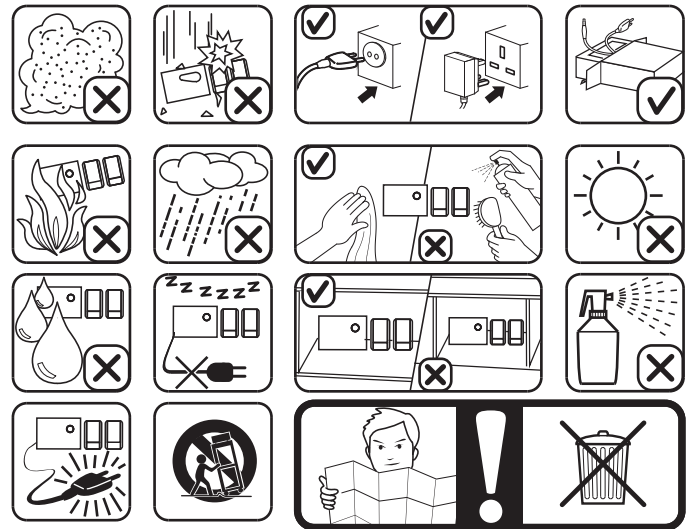
CONNECTING YOUR BLUETOOTH DEVICE:

1. Press "SOURCE" until you are in "bL" mode. You will hear beeping.
2. Activate Bluetooth and search for "BT Speaker" on your transmitting device (phone, tablet, pc, etc.)

System Connection Diagram



Please pay attention to the following items:



SPEAKER TERMINALS

Ö [] ^ & c @ Á - c B Á Á @ & c @ } ^ | Á æ || æ Á Á c È Á | ^ æ ^ | Á ~ d ~ c
 Á : { ã æ È

NOTE

ÈÖ [Á [c Á æ ^ Á à b & c Á ^ | ^ æ æ * Á æ } ^ c { Á ^ æ Á c @ Á | ^ æ ^ | • È



*if the remote control doesn't function, it is probably the battery of remote control being dead. Change 'em. Thank you.