

BT-3129F



PC, TV, DVD

AUX

USB, SD/MMC

MP3

//FEATURES

- 2200 W PMPO
- Analog audio input.
- MP3 playback on USB or SD/MMC.
- Stereo FM radio.
- Built-in 3 channel power amplifier.
- Connect via Analog to your PC, DVD, TV etc.
- Remote Control

//SPECS

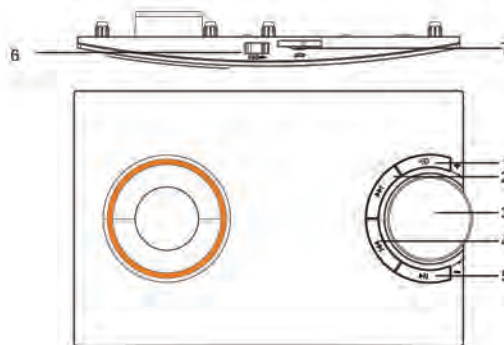
Output Power :116W+6Wx2
 Frequency response:
 40Hz-20KHz
 Impedance : Subwoofer 4 Ohm. Satellite 8 Ohm
 SIN Ratio: > 80dB
 Isolation sensitivity: > 45dB
 Distortion: < 0.3% at 1W output @1KHz
 Subwoofer speaker 4 "system
 Satellite speaker 3 "system
 Power. AC110-120V 50/60Hz

QUICK START GUIDE

A

BLUETOOTH SETUP

1. SELECT BLUETOOTH MODE USING THE "INPUT" BUTTON ON THE UNIT (5) OR ON THE REMOTE (11).
2. YOU WILL SEE "BT" FLASHING ON THE DISPLAY.
3. SEARCH FOR DEVICES FROM YOUR PHONE/TABLET/PC/LAPTOP
4. LOOK FOR "BLUETOOTH SPEAKER" IN YOUR SEARCHED DEVICES.
5. CONNECT AND PAIR. VOILA!



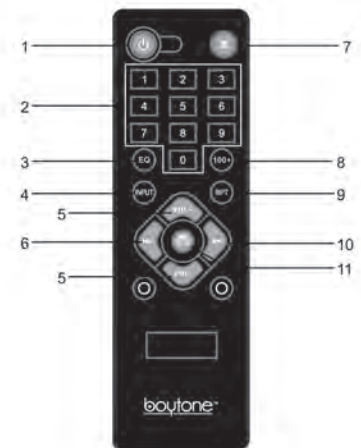
- 1.Input
- 2.Previous
- 3.Volume+/- adjustment
- 4.Next
- 5.Play/pause
- 6.USB card reader
- 7.SD card reader

B

FM TUNER SETUP

1. SELECT RADIO MODE USING THE "INPUT" BUTTON.
2. TO SCAN - HOLD DOWN THE PLAY/PAUSE BUTTON ON THE UNIT OR REMOTE.
3. THE UNIT WILL AUTO SCAN AND SET YOUR STATIONS IN ORDER AND DESIGNATE AS "CH1, CH2, ETC."

BROWSE USING PREVIOUS/NEXT



1. STANDBY: turn unit on or off
- 2.1-0: enter radio station or track number
3. EQ MODE: choose audio output sound field effect
- 4.INPUT: cycle selection between input USB/SD/FM/AUX/BT.
5. VOLUME+,-: increase volume or reduce the volume
6. PREV: skip to the previous track
7. MUTE: mute the sound
- 8.100+: select music track after 100
9. RPT : repeat an audio track
10. NEXT: skip to the next track
11. PLAY/PAUSE: begin play or pause the USB or SD/MMC. Hold down to scan radio stations.