

boytone™

www.boytone.com

2.1CH MULTIMEDIA SPEAKER SYSTEM

BT-210FD



DEAR CUSTOMER:

Thank you to buy the product!
Prior to first use, please read the manual carefully.

Operation explanation:

SPECIFICATIONS

Output Power: 35W+15Wx2(RMS)

Drive Units: 3" x2 full range magnetically shielded + 6.5" subwoofer

Frequency Response: Satellites: 120Hz-20KHz

Subwoofer:20Hz-170Hz

Separation: ≥40 dB

S/N: ≥70dB

Distortion: ≤0.5%(1K, 1W)

Power Supply: ~120V 60Hz

Dimensions: Subwoofer: W240xH344xD206(mm)

Satellite: W105xH176xD94(mm)

Features:

- Quality 2.1 speaker system with built-in amplifier
- Full audio spectrum performances, ideal for your favourite entertainment from Mp3, Mp4, CD/DVD movies and digital playbacks
- Specially designed woofer cabinet for bass and resolution
- Comes with wired remote control and RCA stereo connection

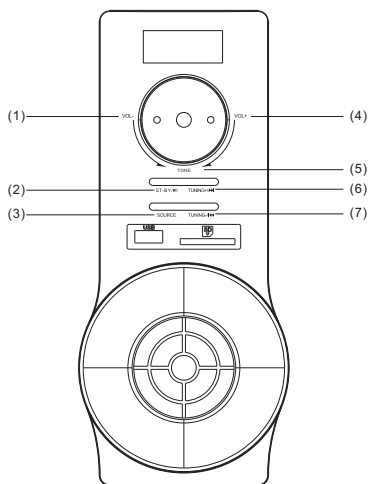
Package contents:

subwoofer cabinet	1 pc
satellite speakers	2 pcs
remote control	1 pc
User manual	1 pc
Audio input cord	1 pc
FM ANT	1 pc

NO.1

Front panel

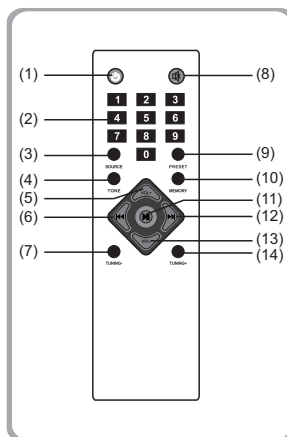
1. VOL-
2. ST-BY/||
3. SOURCE
4. VOL+
5. TONE
6. TUNING+/▶▶
7. TUNING-/◀◀



1. ST-BY/PLAY/PAUSE ----- Press to turn on speaker,long press into stand-by. PLAY/PAUSE on the USB/SD/BL mode.
2. SOURCE ----- Change the input mode.
3. VOLUME -/+ ----- Volume down/up.
4. TONE ----- Press TONE key to select the TREBLE and BASS. And use the volume knob to adjust the TREBLE -6~+6, BASS 00~30.
5. TUNING+/NEXT ----- Press once to increase the FM frequency 0.1M, long press to the semi-automatic search for radio.In USB/SD/BL mode, press "NEXT" play next song.
6. TUNING-/PREVIOUS ----- Press once to reduce the FM frequency 0.1M, long press to the semi-automatic search for radio.In USB/SD/BL mode, press "PREVIOUS" play previous song

NO.2

How to use the remote control



1. ST-BY
2. 0~9
3. SOURCE
4. TONE
5. VOL+
6. PREVIOUS
7. TUNING-
8. MUTE
9. PRESET
10. MEMORY
11. PLAY/PAUSE
12. NEXT
13. VOL-
14. TUNING+

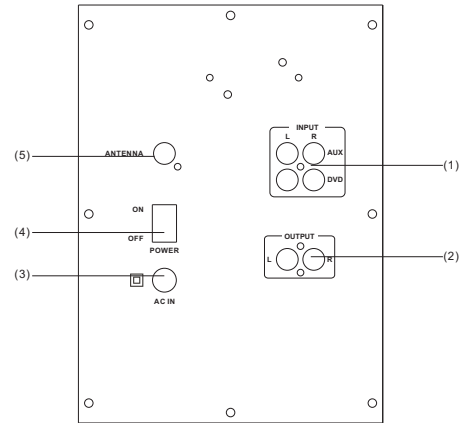
1. Press "ST-BY" LED showing "AU18",it is AUX mode playing state.
2. "MUTE" means to activate or deactivate mute.
3. "SOURCE"means you can choose AUX , DVD ,USB/SD,FM,BL input mode, at the same time ,the LED will show "Au18"means AUX mode, "Du18" means DVD mode. "87.5"means FM mode, "BI18"means BL mode.
4. "TONE"means you can choose "TREBLE" and "BASS" "VOL+/-"means you can increase or decrease volume of " TREBLE " or "BASS".
5. When enter into FM mode,press"MEMORY"the number on the LED will Blink.this means the machine is under save channel state.You can change the blinking number by pressing"NEXT"or "PREV",press"PLAY/PAUSE"you can save the channel into same number.it will enter into automatic search channel and automatic save channel when pressing "MEMORY"for 3-5 seconds (noted:the channel which you saved before will be deleted when you press "MEMORY"for 3-5 seconds.

NO.3

6. When entering into USB/SD mode. "NEXT" means next song; "PREV" means previous song; "PLAY/PAUSE" means play/pause; pressing the number "0-9" on the remote control, you can choose the corresponding song.
7. VOL +/- means you can increase or decrease volume.
8. "TUNING-" means decrease the frequency of channel selection. Press "TUNING-" for a long time means decrease the frequency of channel selection continuously.
9. "TUNING+" means increase the frequency of channel selection. Press "TUNING+" for a long time means increase the frequency of channel selection continuously.
10. "PLAY/PAUSE" means play/pause for USB/SD.
11. "PREV" means previous song for USB/SD.
12. "NEXT" means next song for USB/SD.
13. Press "SOURCE" buttons on the remote to convert to Bluetooth input mode, LED display right bottom start to flashing (2 seconds) to search the Bluetooth device. Turn on your mobile Bluetooth device and search the device name "BT SPEAKER", paired them well. When you have successfully paired your mobile to the speaker system, the LED right bottom stop flashing. When start to play your mobile music, the LED flashed every one second. The functions as "PREVIOUS/NEXT", "PLAY/PAUSE", can operate via the front panel. On BL mode, when connecting with mobile, press "▶||" for 3 seconds, bluetooth function can be force-disconnected.

NO.4

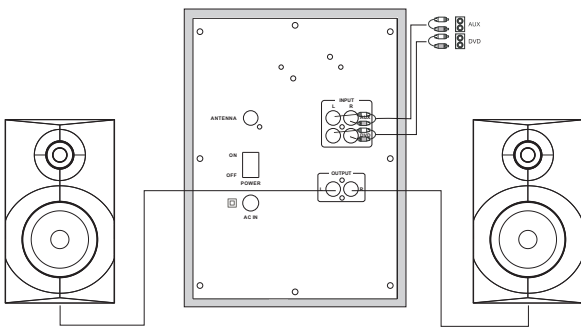
Rear panel



- | | |
|---|---|
| <p>1. Input
Connect to sound sources such as computer, CD Player, MP3, etc.</p> | <p>3. AC IN: AC Power cord
4. Power ON/OFF
Switch for turning on/off the power.</p> |
| <p>2. Output:
Connect the satellite speakers.</p> | <p>5. ANTENNA</p> |

NO.5

System connection diagram



1. Connect the audio sources
Connect the RCA cable to the input of the subwoofer, make sure the red and white color jack to the correspond input of the woofer. Connect the 3.5" stereo input jack into the output of the audio sources, such as MP3, MP4, walkman, computer etc.
2. Power on the system, adjust the master volume to the suitable level. Adjust "VOL" to the suitable to meet your different requirement.

SPEAKER TERMINALS

Connect the left & right channel satellite to 2.1 speaker output terminals.

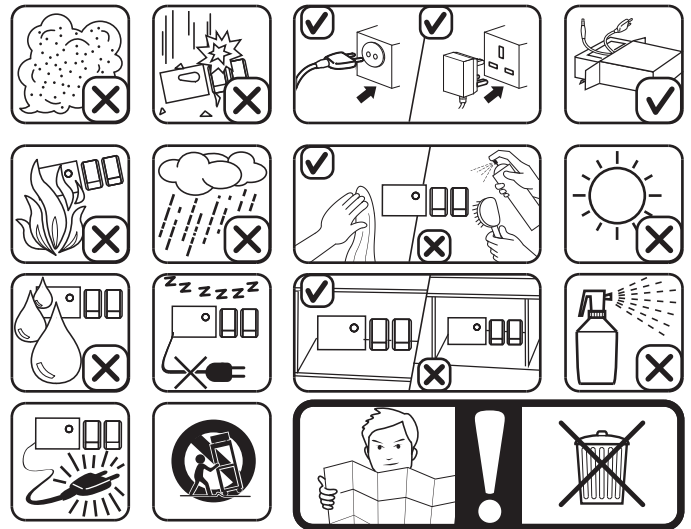


NOTE

* Do not leave objects generating magnetism near the speakers.

NO.6

In use please pay attention to the following items:



* If the remote control cannot function, it is because the battery of remote control has been used up. Thank you.

NO.7